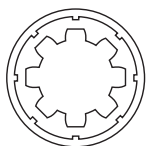


Belt Drive Actuators

M45-15 Series

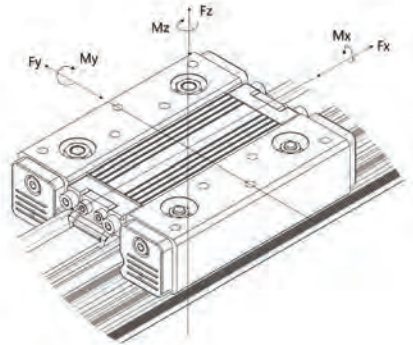


MYOSTAT MOTION CONTROL INC.

www.myostat.ca
info@myostat.ca
+1 905 836 4441

Technical Data				
	Unit		Value	
Max. Speed	m/s	ft/s	4	13.12
Max. Acceleration	m/s ²	ft/s ²	15	49.21
Nominal Input Torque	Nm	ft-lb	3	2.21
Positional Repeatability	+/- mm	+/- Inch	0.05	0.002
	Pitch		75	2.953
Belt Width	mm	Inch	15	0.591
Toothed Belt	HTD3M			
Max. Belt Expansion	%		0.18	
Toothed Belt Tension			150	33.72
Fx Max.	N	lbf	150	33.72
Fy Max.			110	24.73
Fz Max.			150	33.72
Mx Max.	Nm	ft-lb	5	3.69
My (standard)			8	5.9
Mz (standard)			6	4.43
Mass for first meter	Kg	lb	2.6	5.72
Mass per additional meter			2.3	5.06

Variable Dimensions	
RL - Rail Length	300 - 3600 [11.811-141.732]
L - Overall Length	RL +106 [4.173]
S - Stroke	RL - (115.5 [4.572] x Number of Carriages)



Naming Convention

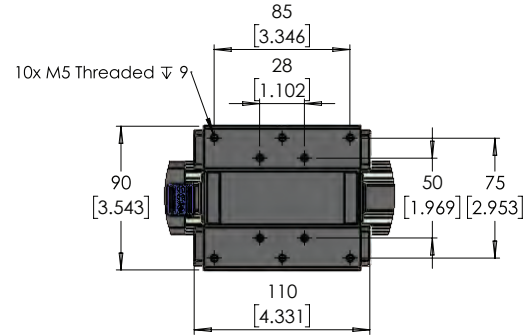
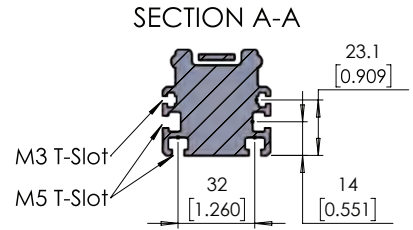
M45-15-□-□-□□□□

Frame Size Fz Max. Number of Carriages Shaft Position Stroke

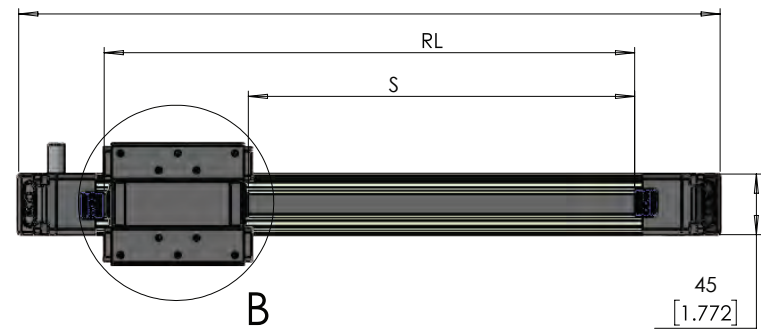
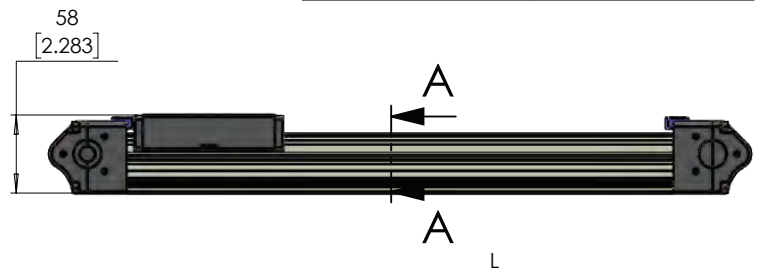
Shaft Position	
1	5
2	6
3	7
4	8



Available with Inline Motor Mount or 2.5:1 or 2:1 belt reduction



DETAIL B



Unless otherwise specified, tolerance to be: CNS 4018 IT 14 Linear measures
 0.5-3 ±0.1
 3-6 ±0.1
 6-30 ±0.2
 30-120 ±0.3
 120-315 ±0.5

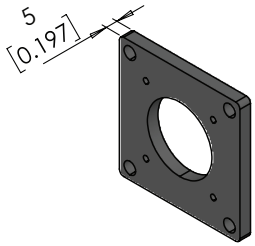
	NAME	DATE	DO NOT SCALE DRAWING	DIMENSIONS ARE METRIC
DRAWN	M.Reynolds	04-10-2018	TITLE:	M45-15 Series Belt Driven Actuator
CHECKED	M.Dank	04-10-2018		
ENG APPR.	M.Dank	04-10-2018		



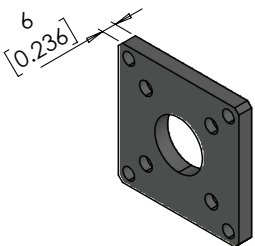
Myostat Motion Control Inc.
 +1 905-856-4441
 www.myostat.ca

PRT. NO.	REV
M45-15-□-□-□□□□	2.1

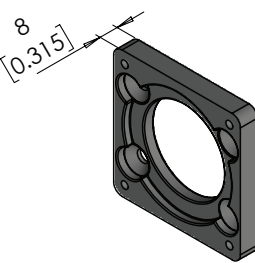
PROPRIETARY AND CONFIDENTIAL
 THE INFORMATION CONTAINED IN THIS DRAWING IS THE SOLE PROPERTY OF MYOSTAT MOTION CONTROL INC. ANY REPRODUCTION IN PART OR AS A WHOLE WITHOUT THE WRITTEN PERMISSION OF Myostat Motion Control Inc.



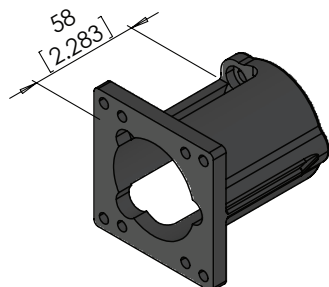
M4045-01917
40 mm Servo Motor Adapter



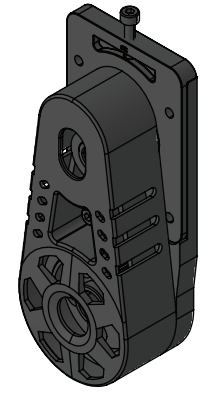
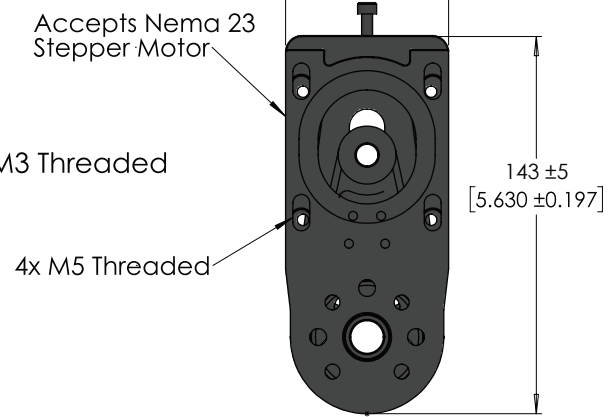
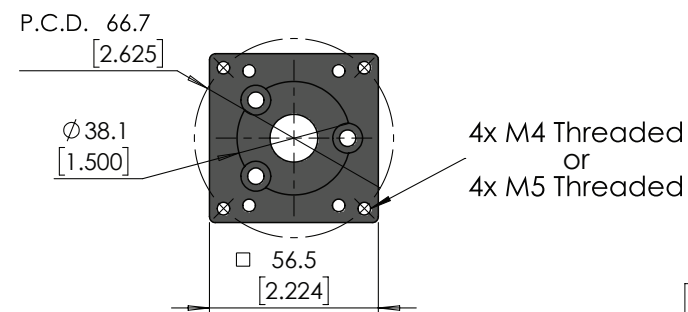
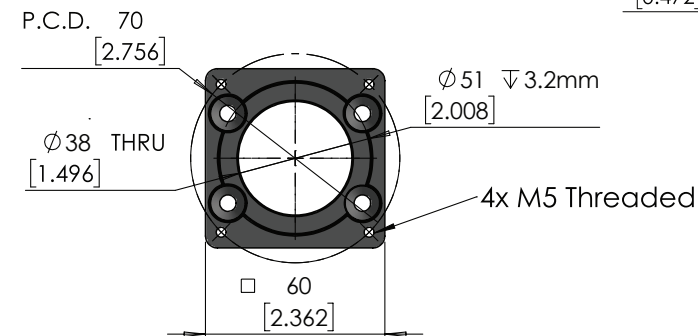
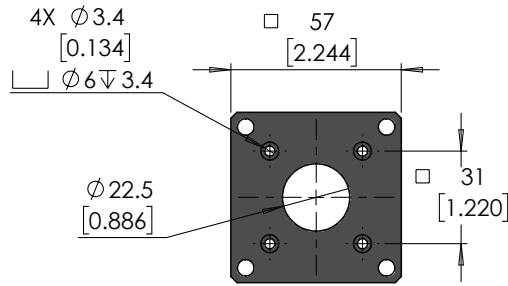
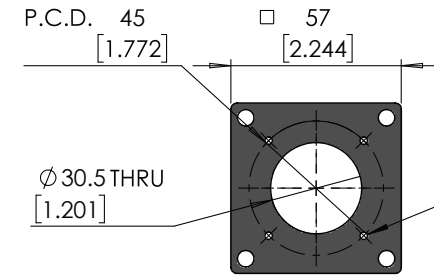
M4045-17000
Nema 17 Motor Adapter



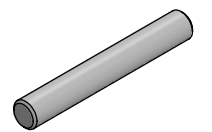
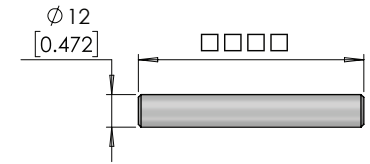
M4045-01917
60 mm Servo Motor Adapter



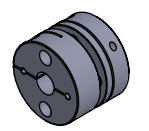
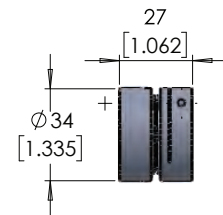
M4045-M23-M4
M4045-M23-M5
Nema 23 Inline Motor Bracket



SR1-2
SR1-2.5
Belt Reduction Available in 2:1 and 2.5:1



SFT-12-□□□□
12mm Shaft Variable Length



PML34-12-□□
12 mm Coupling with Variable Input

UNITS: mm [inch]

Unless otherwise specified, tolerance to be: CNS 4018	
IT 14 Linear measures	
0.5-3	± 0.1
3-6	± 0.1
6-30	± 0.2
30-120	± 0.3
120-315	± 0.5

	NAME	DATE
DRAWN	M.Reynolds	04-10-2018
CHECKED	M.Dank	04-10-2018
ENG APPR.	M.Dank	04-10-2018

DO NOT SCALE DRAWING DIMENSIONS ARE METRIC

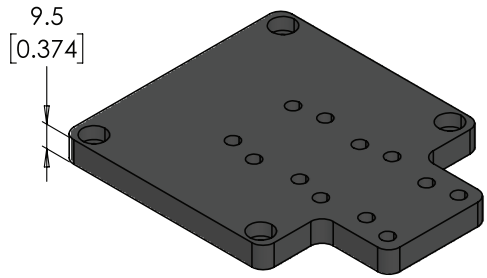
TITLE:
**M45-15
Accessories**

PRT. NO. M45-15-□-□-□-□-□
REV 2.2

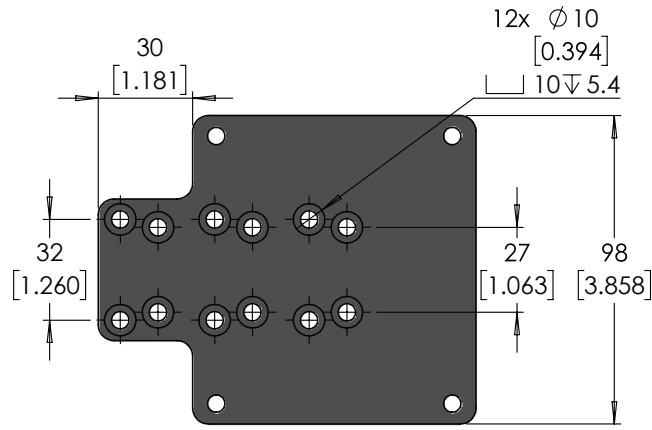
PROPRIETARY AND CONFIDENTIAL
THE INFORMATION CONTAINED IN THIS
DRAWING IS THE SOLE PROPERTY OF
MYOSTAT MOTION CONTROL INC.
ANY REPRODUCTION IN PART OR AS A
WHOLE WITHOUT THE WRITTEN PERMISSION
OF Myostat Motion Control Inc.



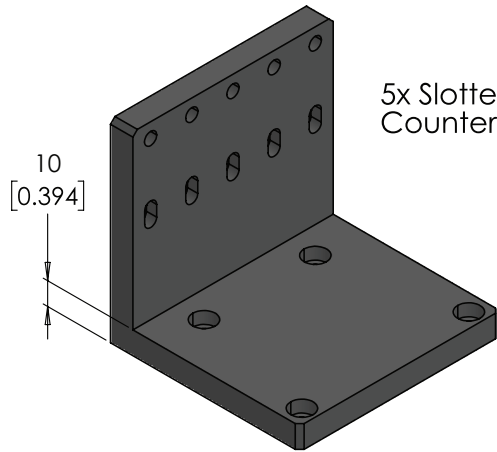
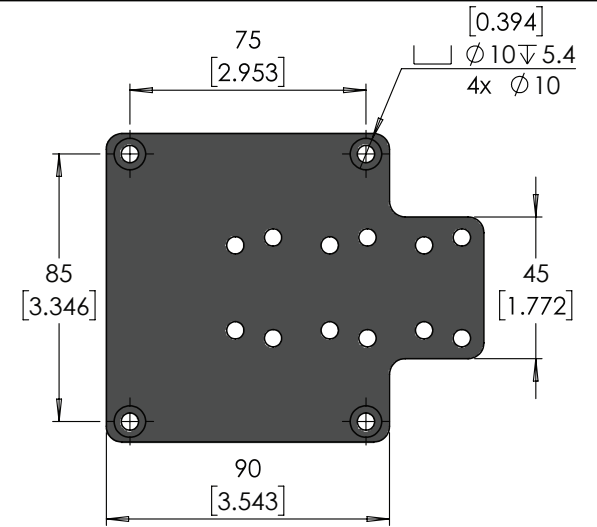
Myostat Motion Control Inc.
+1 905-856-4441
www.myostat.ca



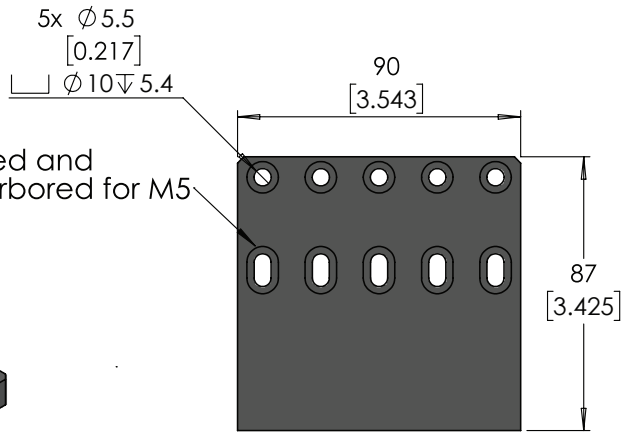
M45-T-Mount
2 Axis Mounting Bracket



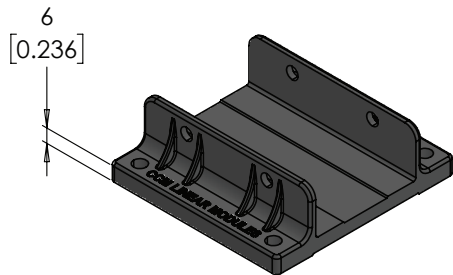
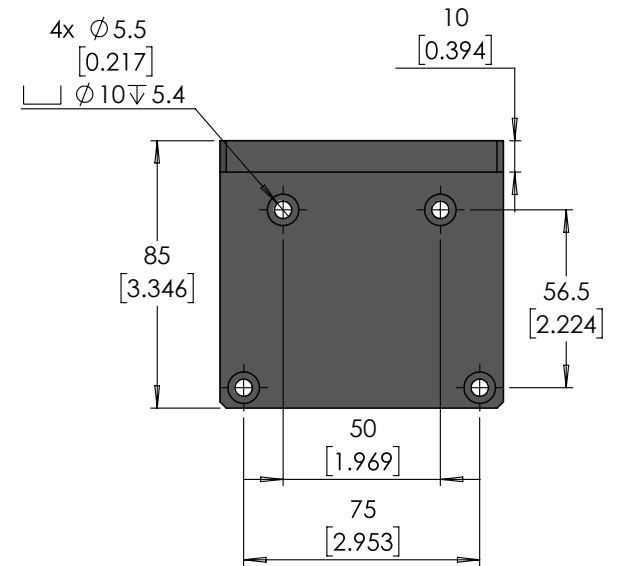
Offset holes allow for mounting of either M40 or M45



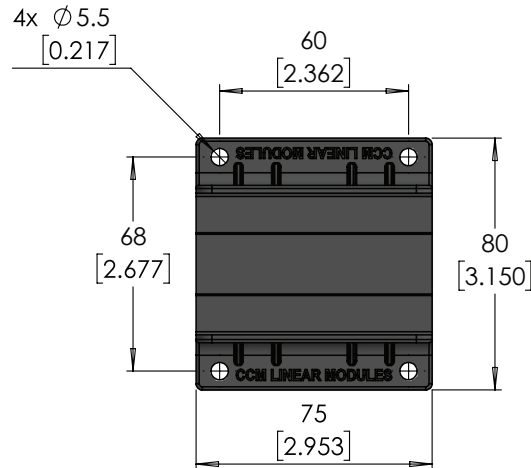
M45-RA-Mount
Right Angle Rail Mount




Slots allow for mounting of either M40 or M45



M45-Mount
M45 Rail Mount



UNITS: mm [inch]

Unless otherwise specified, tolerance to be: CNS 4018 IT 14 Linear measures		NAME	DATE	DO NOT SCALE DRAWING	DIMENSIONS ARE METRIC
0.5-3	±0.1	DRAWN	M.Reynolds 04-10-2018	TITLE: M45 Mounting Options	
3-6	±0.1	CHECKED	M.Dank 04-10-2018		
6-30	±0.2	ENG APPR.	M.Dank 04-10-2018		
30-120	±0.3	 Myostat Motion Control Inc. +1 905-856-4441 www.myostat.ca			REV 2.2
120-315	±0.5				PRT. NO. M45-15-□-□-□□□□

PROPRIETARY AND CONFIDENTIAL
 THE INFORMATION CONTAINED IN THIS
 DRAWING IS THE SOLE PROPERTY OF
 MYOSTAT MOTION CONTROL INC.
 ANY REPRODUCTION IN PART OR AS A
 WHOLE WITHOUT THE WRITTEN PERMISSION
 OF Myostat Motion Control Inc.

Pre-Configured Gantry Styles

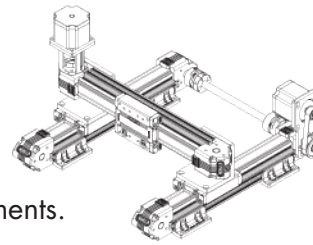
Please reference the gantry style number, along with required strokes and motors or motor mounts. Additional modifications or customization are available.

Gantries can be supplied with or without cable tracks and cabling.

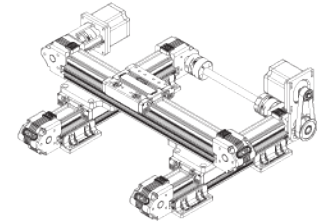
Some configurations are limited to specific frame sizes.

Our engineers can help pick the right combination based on your load and speed requirements.

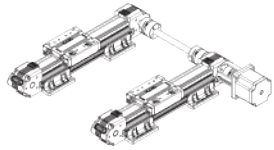
1



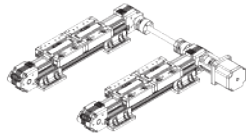
2



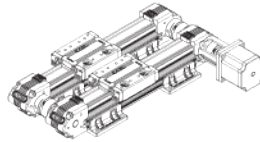
3



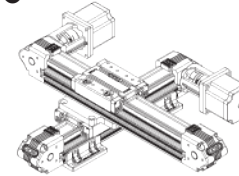
4



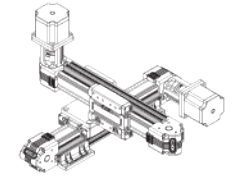
5



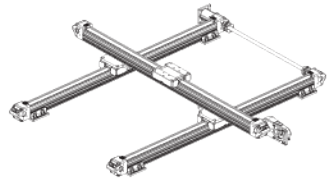
6



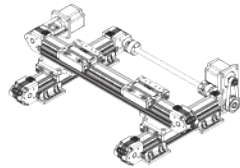
7



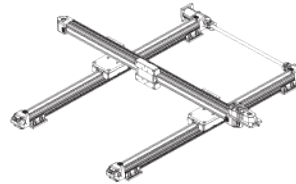
8



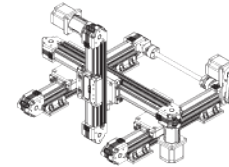
9



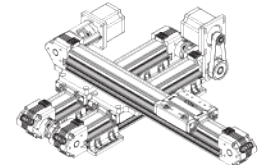
10



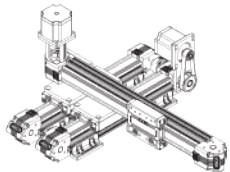
11



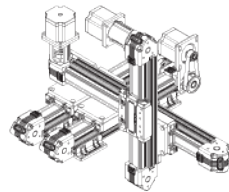
12



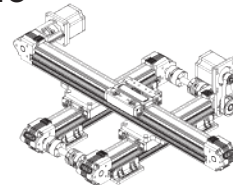
13



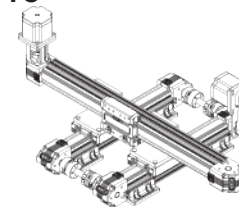
14



15



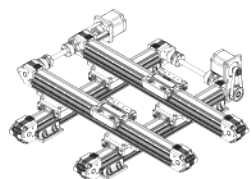
16



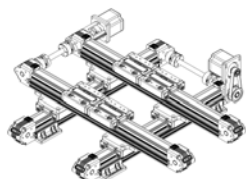
17



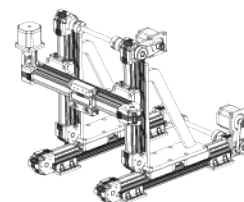
18



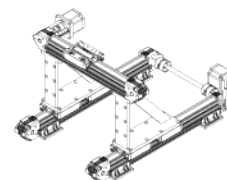
19



20



21



22

